

CONAIRMAN



THE LITHIUM CUT

TOOL TIPS

for the lithium powered clipper for professional,
at home hair cutting.

VSM7473A

HERE YOU ARE.

RIGHT WHERE YOU NEED TO BE, MAN.

FROM THE STREETS OF
BROOKLYN, NEW YORK

**WE ARE CHANGE
MAKERS & STYLE CREATORS.**

WE'VE FOUGHT OUR WAY INTO
YOUR HANDS TO HELP YOU CRAFT
**A REPUTATION, NOT JUST ENGAGE
IN SOME BRILLIANT GROOMING.**

KNOW YOUR WORTH, INVEST IN IT MAN & CHECK OUT OUR INSIDER
KNOWLEDGE, TIPS & TRICKS TO MAKE THE MOST OF THE STYLE PATH
YOUR FEET ARE FIRMLY PLANTED ON. GIDDY UP, IT'S GROOMING TIME.

CHECK OUT CONAIRMAN.COM.AU FOR GROOMING TIPS
& KNOW HOW TO LET YOU CRAFT A REPUTATION

CONAIRMAN™

**CRAFT A
REPUTATION,
MY MAN**

IMPORTANT SAFETY INSTRUCTIONS

When using electrical appliances, especially when children are present, basic safety instructions should always be followed, including the following:

Polythene bags over product or package may be dangerous. To avoid danger of suffocation, keep this wrapper away from babies and children. This bag is not a toy.

DANGER: When the unit is used in a bathroom, unplug it after use since the proximity of water presents a hazard even when the appliance is switched off.



WARNING: Do not use or leave the adaptor in a position where it can become wet or there is a danger of it falling into a basin or other vessels containing water. Keep the appliance dry, unless it otherwise specified. Do not use this appliance in or near bathtubs, showers, basins or other vessels containing water.

- Do not immerse appliance in water or other liquids.
- Do not reach for an appliance that has fallen into water. Unplug immediately.
- Take care to avoid contact between the moving blades of the unit and the skin, paying particular attention to the face, neck and hands.
- This appliance is not intended for use by persons (including children) with reduced physical, sensory or mental capabilities, or lack of experience and knowledge, unless they have been given supervision or instruction concerning use of the appliance by a person responsible for their safety.
- Children should be supervised to ensure that they do not play with the appliance.
- For purposes of recharging battery, only use detachable supply unit provided with this appliance.
- This appliance contains batteries that are non-replaceable.

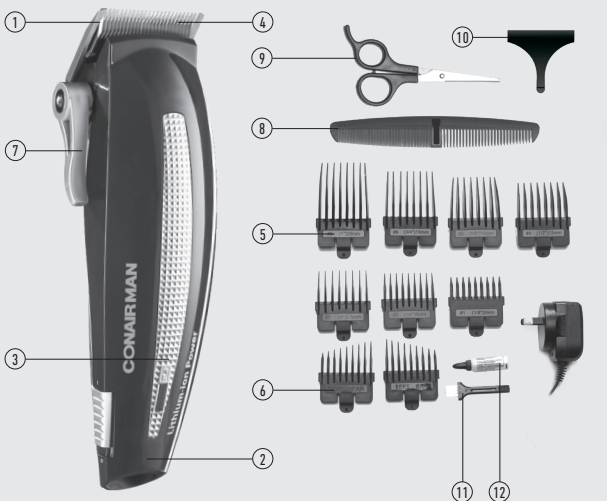
IMPORTANT: Always unplug the appliance when not in use or before cleaning. Do not leave unattended when plugged in or switched on. Do not place on any heat sensitive surface.

- Do not use any attachments other than those supplied by Conair Australia Pty Ltd.
- Use this appliance only for its intended use as described within this instruction booklet.
- Always unplug the appliance when fully charged.
- This appliance is not intended for commercial use.
- Never drop or insert any object into an opening.
- Do not use the appliance with damaged or broken attachment combs or with any teeth missing from the blades, as injury may occur.
- Do not place on any surface while it is operating.
- Keep the cord away from heated surfaces
- Never twist or pull on the power cord.
- Do not use an extension cord with this appliance.
- After use do not wrap the cord around the appliance as in time this may cause the cord to fracture. Coil cord loosely by the side of the appliance in storage.
- Do not use outdoors or operate where aerosol (spray) products are being used or where oxygen is being administered.
- Do not use the appliance if it is damaged. In the event of damage, discontinue use immediately and contact your dealer for instructions on returning it for examination or exchange. If the supply cord is damaged, it must be replaced by the manufacturer, its service agent or similarly qualified person in order to avoid a hazard.
- Always ensure that the voltage to be used corresponds to the voltage marked on the unit.
- For additional protection, the installation of a residual current device (RCD) with a rated operating current not exceeding 30mA is advisable in the electrical current circuit supplying the bathroom. Ask your installer for advice.
- The appliance is only to be used with the power supply unit provided with the appliance.

THE LITHIUM CUT

HEY MAN, IT'S CLIPPING TIME.

The Lithium Cut is the lithium powered clipper for professional, at-home hair cutting.



1. Diamond sharpened blades
2. Cord/Cordless use
3. DC direct drive motor
4. 45mm clipping blade

5. 7 cutting comb guides - grades #1, #2, #3, #4, #5, #6 & #8 comb guides (3mm to 19mm + 25mm) for cutting, shaping & fading

6. Left + right ear taper cutting comb guides for the finishing touches around the ears
7. 5 position taper control

8. Barber comb
9. Scissors
10. Blade guard
11. Cleaning brush
12. Oil

PREPPING YOUR NEW TOOL

CHARGING

The Lithium Cut clipper is so easy to use. But before you start using your new tool, you must take the time to charge it overnight for **3 hours** before its first use. Your new tool comes with a small amount of charge, but the initial charge will ensure your new tool will have optimum power performance to give you smooth fast cutting, every time.

- Before using for the first time, fully charge your new tool continuously for 3 hours.
- Maximum battery capacity will only be reached after 3 charging & discharging cycles.
- Ensure your new tool is switched off.
- Insert the small plug on the charging adaptor into the socket on the bottom of your new tool.
- Plug the charging adaptor into a suitable mains power socket & switch on.
- The red charging LED indicator light on your new tool will flash when correctly connected to the mains power, & will continuously flash until the battery has fully charged.
- When the battery is fully charged, the LED indicator light will stop flashing, but remain on.
- A full charge of 3 hours will supply up to 75 minutes cordless runtime.
- A quick charge of 15 minutes will supply 15 minutes cordless runtime.
- When the clipper is running low on charge, the LED indicator light will flash, warning you there is approximately 3 minutes left of battery use remaining.
- If the charging light suddenly starts to flash rapidly (more than 4 flashes per second) then the appliance is faulty. If this happens then please stop charging & remove the adaptor from the mains & contact our customer care centre for further advice (see the "warranty section" section of the information booklet).

MAINS OPERATION

To use the clipper connected to mains power:

- Ensure your new tool is switched off.
- Insert the small plug on the charging adaptor into the socket on the bottom of your new tool.
- Plug the charging adaptor into a suitable mains power socket & switch on.
- The red LED charging light will flash when the adapter is correctly inserted into the appliance & connected to an outlet
- Switch the clipper on - **NOTE** - if the battery is weak & low on battery charge, wait approx. 1 min before switching the clipper on.
- **NOTE:** The clipper should not be used for longer than 20 minutes when operated with the cord.

OILING THE BLADES

To get the sharpest, most precise cut, it is highly recommended to oil the blades before each use.

Using the oil supplied with your new tool, unscrew the cap & cut off the very end of the plastic tube with a pair of scissors to release the oil.

Switch your tool on, gently squeeze the oil tube & apply 2 drops of oil onto the blades. Leave the tool on for a further few seconds to allow the oil to thoroughly spread across each of the blades. Switch off the tool & remove any excess oil by gently dabbing with a cloth.

HOW TO USE THE LITHIUM CUT

BEFORE USING

- Always inspect the clipper blades for noticeable signs of damage.
- Ensure the clipper blades are well oiled before using.
- Always inspect the clipper blades before use to ensure they are free from hair, debris etc.
- Ensure the clipper is sufficiently charged before use.
- For best performance use on clean, dry hair that has been combed until tangle-free.

5 POSITION TAPER CONTROL

The 5 position taper control for is designed for blending layers & a precise close trim, everytime.

- To increase the cutting length, push the lever down.
- To reduce the cutting length, push the lever up.

EASY CLIPPING, YOUR WAY

The Lithium Cut features 7 cutting comb guides - grades #1, #2, #3, #4, #5, #6 & #8 comb guides (3mm to 19mm + 25mm) for cutting, shaping & fading & left + right ear taper cutting comb guides for the finishing touches around the ears.

The comb guides are marked with the following grade number:

Cutting Length	Grade
3mm	#1
6mm	#2
9.5mm	#3
13mm	#4
16mm	#5
19mm	#6
25mm	#8
Ear taper	Left
Ear taper	Right

- To attach a comb guide, ensure the appliance is switched off. Position the comb guide over the front of the clipper blade & slide over the head. Push & click the rear of the comb guide into position.
- To remove the comb guide, ensure the appliance is switched off. Push the tab on the rear of the comb guide away from the head & lift off.
- To attach the ear comb guides, choose either the left or right guide depending on which ear you are cutting above. Angle the clipper & gently stroke around the ear towards the back of the neck.

CLIPPING TIPS

CHECK OUT **CONAIRMAN.COM.AU** FOR GROOMING TIPS & KNOW HOW TO LET YOU CRAFT A REPUTATION

CREATING AN ALL-OVER EVEN CUT

1. Ensure the clipper is switched off.
2. Attach the desired cutting comb guide as required.
3. Switch the clipper on – the blades will start to move.
4. Start cutting at the nape of the neck, holding the clipper with the teeth of the clipper pointing upwards, ensuring that the comb guide is resting flat against the head.
5. Slowly move the clipper upwards & outwards through the hair towards your crown, against the direction of the hair growth. The comb guide will help to lift the hair & the blades will cut the hair to the length as shown on the comb guide.
6. Once the desired length is achieved at the back of the hair, start clipping the top & sides.
7. Hold the clipper to the front of your hair with the teeth pointing towards the back of your head, & move the clipper towards your crown. Repeat as necessary, moving in rows from the front & the sides of your head to the back.
8. For finishing around the ears, attach the required ear taper comb guide & trim down any longer hairs around the ears.

CREATING A SHORT BACK & SIDES LOOK, WITH LENGTH ON THE TOP

1. Ensure the clipper is switched off.
2. Attach the desired cutting comb guide as required.
3. Switch the clipper on – the blades will start to move.
4. Hold the clipper to the front of your hair with the teeth pointing towards the back of your head & move the clipper towards your crown. Repeat as necessary, moving in rows from the front & the sides of your head to the back.
5. If you then wish to take the back & sides of your hair to a shorter length, switch off the appliance & attach a shorter comb guide.
6. Start cutting at the nape of the neck, & with the comb guide flat against the head, move the clipper upwards & outwards over the area you want to take shorter.
7. Repeat on the sides of the hair, starting with the teeth of the clipper pointing upwards & comb guide flat against the area above the ear, again moving the clipper upwards & outwards.

OUTLINING

1. To tidy up the edges around your cut e.g. neckline & sideburns, detach the comb guides.
2. Hold the clipper upside down, so the front of the clipper is facing towards your head.
3. Hold the clipper straight on your sideburns or neckline & move the clipper downwards. This will give you a clean, smooth finish.

CLIPPER CLEANING & MAINTENANCE

Because the clipper blades are precision made for a very special use, they should always be handled with care. To ensure long-lasting performance of your clipper, it is important to clean the blades + the comb guides after every use.





After each use, clean the clipper blade set as follows:

1. Switch the clipper off or unplug from the power outlet if it is charging.
2. Using the cleaning brush, gently brush & blow any hairs from the blade set & head of your clipper.
3. Remove the blades carefully noting which way round they are fitted. This will help with re-assembling.
4. Remove the two screws from the large fixed blade & detach this blade.
5. Now brush away the hair & other debris from the interior of the cutting head & blades.
6. Re-assembly is simply the reverse of the above instructions.
7. Finally, before fully tightening the two screws in the large blade, to avoid injury ensure that the blades are correctly aligned. With the taper control lever fully forward, the tips of the small blade must be parallel with & 1mm below the tips of the large blade. Also check that the extreme left hand tooth of the small blade is inside the large blade. (Failure to do so could cause injury).
8. Carefully tighten the two screws in the big blade, taking care not to disturb the above correct position of the blades
9. After replacing the blade set, always remember to oil the blade of your clipper.

NOTE: Do not attempt to repair or replace the blades. In the event that the blades become blunt or damaged, contact the Conair Customer Service.

WORLDWIDE VOLTAGE

This appliance has a multi voltage feature for worldwide use. The voltage automatically converts for ease of use from 100v - 240v. This appliance has an automatic internal converter which will automatically convert the voltage without the need of a switch. A suitable plug adaptor will be required, please refer to the chart below.

Plug adaptor required	Voltage and plug adaptors	Country	Voltage setting
	British plug: 240V	Ireland, Great Britain, Singapore, South America, Hong Kong (parts only), Africa (parts only)	240V
	European plug: 240V	Asia, Europe, Middle East Noumea, Scandinavia, South America, Hong Kong (parts only)	240V
	Australian and New Zealand plug: 230-240V	Australia, New Zealand	230-240V
	American plugs: 120V	North America, Japan, Canada (parts of)	120V

BATTERY DISPOSAL

The Lithium Cut clipper contains a Lithium-ion battery. To protect the environment, the appliance must be disposed of safely at the end of its useful life.



Li-ion

Please take the appliance to a recycling centre, where the internal rechargeable battery should be removed by a professional and recycled separately.

For more information about the recycling of electrical and battery operated appliances, please contact your local council office or your household waste disposal service.

WARRANTIES

- In this warranty document ("Warranty Document"), "Conair", "we" or "us" means:
 - Conair Australia Pty Limited (ABN 64 068 492 044) of The Equinox Centre, Suite 101, 18 Rodborough Rd, Frenchs Forest, NSW, 2086, in relation to products purchased in Australia; or Conair New Zealand Ltd of Conair New Zealand Limited, PO BOX 251159 Pakuranga, Auckland 2140, New Zealand in relation to products purchased in New Zealand.
 - Nothing in this Warranty Document limits or reduces (or purports to limit or reduce) any statutory guarantees pursuant to the Australian Consumer Law for Australian customers or the Consumer Guarantees Act 1993 for New Zealand customers.
 - If you have any questions about the product you have purchased in either Australia or New Zealand, please contact us on 1800 650 263 (for Australian customers) or 0800 266 247 (for New Zealand customers). Further contact details are set out at the bottom of this Warranty Document.

STANDARD 2 YEAR (24 MONTH) WARRANTY

- AUSTRALIA:** Our goods come with guarantees that cannot be excluded under the Australian Consumer Law. You are entitled to a replacement or refund for a major failure and compensation for any other reasonably foreseeable loss or damage. You are also entitled to have the goods repaired or replaced if the goods fail to be of acceptable quality and the failure does not amount to a major failure.
NEW ZEALAND: Our goods come with guarantees that cannot be excluded under the Consumer Guarantees Act 1993. This guarantee applies in addition to the conditions and guarantees implied by that legislation.
- Conair's name, postage address, email and phone number are available at the bottom of this Warranty Document, under "Contact Information".
- This Standard 2 Year (24 Month) Warranty ("Standard Warranty") applies for a period of 2 years (24 months) from the date that you purchased your product ("Standard Warranty Period"). For clarity, the relevant defect must appear within the Standard Warranty Period timeframe for this Standard Warranty to apply.
- If your product is defective, and the product is covered under this Standard Warranty, you should, in the first instance, take the product back to the place you purchased it from or

contact us directly if you are unable to take the product back to the place of purchase. The procedure for claiming under this Standard Warranty is as detailed below.

6. To make a Standard Warranty claim, you will need to return the defective product back to the place it was purchased where it will be assessed under this Standard Warranty. Or if you are unable to return the defective product back to the place of purchase, you will need to call our Customer Service team on 1800 650 263 (for Australian Customers) or 0800 266 247 (for New Zealand customers) or send an email to the email address provided below under 'Contact Information'.
7. **In order to make a claim under this Standard Warranty, you will need to provide the following details to Conair:**
 1. **Date of purchase**
 2. **Retailer name & location**
 3. **Product model number & name**
 4. **Confirm you have your purchase receipt**
 5. **Detail the problem with your product.**
8. If you make a Standard Warranty claim directly with us, we will ask for you to send us back the defective product along with the purchase receipt. To do this, please head to your local post office and send to the product to our reply paid address which is: Replied Paid 146, PO Box 146, Terrey Hills NSW 2084. For clarity, we will be responsible for covering the cost of postage to the above replied paid address.
9. Once we receive your product, we assess it accordingly. Upon analysing the defect, we will either: a) have the product replaced and sent back to you; or b) refund you (either in part or in full).
10. The benefits provided to you under this Standard Warranty are in addition to other rights and remedies available to you under consumer law.
11. Within the Standard Warranty Period, if your product suffers a defect in the materials or workmanship, Conair will either refund or replace your product, in our sole discretion, for no charge.
12. Under this Standard Warranty, we do not have to refund, repair or replace your product if the product's defect or damage is a result of misuse, abuse, accident, act of God such as lightning, or nonobservance of Conair's instruction booklet on the part of the user.
13. The Standard Warranty does not cover ordinary wear and tear of the product.
14. This Standard Warranty is immediately void if: a) any serial number or product plate is removed or defaced, or b) the product has been serviced or otherwise repaired by a person

not authorised to do so by Conair or where non-approved replacement parts are used.

15. You are aware that the product is designed for domestic use only and that it must be connected to the electrical voltage supply as specified in the ratings label located on the product itself and detailed in the product's instruction booklet. The Standard Warranty does not cover defects arising from non-domestic use or use of incorrect voltage supply.
16. This Standard Warranty may only be claimed where proof of original purchase is presented, for example, original receipt or invoice.
17. The Standard Warranty on any replacement product or parts will expire on the same date that the Standard Warranty Period on the original product expires, as far as the law permits.
18. In order to obtain a remedy under this Standard Warranty, the defect must have occurred during the this Standard Warranty Period and you (as the purchaser) bear the onus of proving that fact, and that the defect was not caused by any of the exclusions above.
19. This Standard Warranty does not cover any product purchased from any entity who is not an authorised Conair distributor or reseller. For clarity, all warranties are only enforceable in Australia and New Zealand.
20. To the fullest extent permitted by law, Conair does not accept liability for: a) any loss or damage however suffered, caused by or arising out of any failure to use a product in accordance with Conair's instruction booklet; and b) any indirect, consequential or economic loss or damage however caused.
21. We will be responsible for all postage and freight charges and any other expenses incidental to claiming under the Standard Warranty, however you must send the product back to our Reply Paid address (which is: Replied Paid 146, PO Box 146, Terrey Hills NSW 2084).
22. If your product is defective, and the product is covered by this Standard Warranty, you should take the product back to the place you purchased it from or contact us directly using the contact information provided in the Contact Information section below.
23. To honour the Standard Warranty, you must retain your proof of original purchase, for example, original receipt or invoice and you must present the proof of original to obtain replacement, refund or service under this Standard Warranty, alongside your defective product.
24. You understand that the Standard Warranty may only be claimed where proof of original purchase is presented, i.e. original purchase receipt or invoice. When asked to do so, please provide your proof of original purchase along with the requested information/defective item.

SPARE PARTS

25. Replacement parts may be available for your product. Contact us on the phone or email address provided for more details. Please provide your product name/model number details, date of purchase and part you require.

CONTACT INFORMATION

Conair Australia Pty Ltd

PO Box 146 Terrey Hills NSW 2084

Customer Service

Australia

1800 650 263

email: aus_info@conair.com

Conair New Zealand Ltd

PO Box 251159 Pakuranga, Auckland New Zealand 2140

Customer Service

New Zealand

0800 266 247

email: aus_info@conair.com



©2023 Conair Australia Pty. Ltd.
Suite 101, 18 Rodborough Rd
Frenchs Forest NSW 2086
Australia

Conair New Zealand Limited
PO BOX 251159
Pakuranga, Auckland 2140
New Zealand

CONTACT US

For advice & tips on your new ConairMan product email us on:
aus_info@conair.com

CUSTOMER SERVICE

Australia: 1800 650 263
New Zealand: 0800 266 247

Check out CONAIRMAN.COM.AU for grooming tips & know how to let you craft a reputation.

CONAIRMAN™

**CRAFT A
REPUTATION,
MY MAN**

IB-23-336