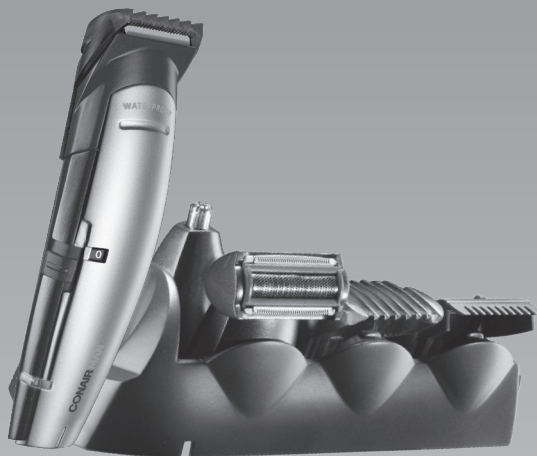


CONAIRMAN



THE ALL-ROUNDER

TOOL TIPS

for the waterproof multi-purpose
face, body & head trimmer

VSM837A

HERE YOU ARE.

RIGHT WHERE YOU NEED TO BE, MAN.

FROM THE STREETS OF
BROOKLYN, NEW YORK

**WE ARE CHANGE
MAKERS & STYLE CREATORS.**

WE'VE FOUGHT OUR WAY INTO
YOUR HANDS TO HELP YOU CRAFT
**A REPUTATION, NOT JUST ENGAGE
IN SOME BRILLIANT GROOMING.**

KNOW YOUR WORTH, INVEST IN IT MAN & CHECK OUT OUR INSIDER
KNOWLEDGE, TIPS & TRICKS TO MAKE THE MOST OF THE STYLE PATH
YOUR FEET ARE FIRMLY PLANTED ON. GIDDY UP, IT'S GROOMING TIME.

CHECK OUT **CONAIRMAN.COM.AU** FOR GROOMING TIPS
& KNOW HOW TO LET YOU CRAFT A REPUTATION

CONAIRMAN™

**CRAFT A
REPUTATION,
MY MAN**

IMPORTANT SAFETY INSTRUCTIONS

When using electrical appliances, especially when children are present, basic safety instructions should always be followed, including the following:

Polythene bags over product or package may be dangerous. To avoid danger of suffocation, keep this wrapper away from babies and children. This bag is not a toy.

DANGER: When the unit is used in a bathroom, unplug it after use since the proximity of water presents a hazard even when the appliance is switched off. This product is suitable for cleaning under an open water tap.



WARNING: Do not use or leave the AC power adaptor in a position where it can become wet or there is a danger of it falling into a basin or other vessels containing water. Detach the hand-held part from the supply cord before cleaning in water. Do not use this appliance in or near bathtubs, showers, basins or other vessels containing water.

- Detach the trimmer handle from power adaptor before using or cleaning the appliance in water.
- Do not reach for an appliance that has fallen into water. Unplug immediately.
- Take care to avoid contact between the moving blades of the unit and the skin, paying particular attention to the face, neck and hands.
- This appliance is not intended for use by persons (including children) with reduced physical, sensory or mental capabilities, or lack of experience and knowledge, unless they have been given supervision or instruction concerning use of the appliance by a person responsible for their safety.
- Children should be supervised to ensure that they do not play with the appliance.
- For purposes of recharging battery, only use detachable supply unit provided with this appliance.

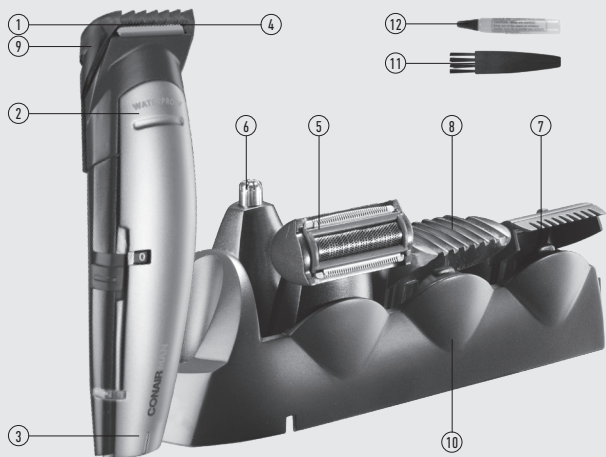
IMPORTANT: Always unplug the appliance when not in use or before cleaning. Do not leave unattended when plugged in or switched on. Do not place on any heat sensitive surface.

- Do not use any attachments other than those supplied by Conair Australia Pty Ltd.
- Use this appliance only for its intended use as described within this instruction booklet.
- Always unplug the appliance when fully charged.
- This appliance is not intended for commercial use.
- Never drop or insert any object into an opening.
- Do not use the appliance with damaged or broken attachment combs or with any teeth missing from the blades, as injury may occur.
- Do not place on any surface while it is operating.
- Keep the cord away from heated surfaces.
- Never twist or pull on the power cord.
- Do not use an extension cord with this appliance.
- After use do not wrap the cord around the appliance as in time this may cause the cord to fracture. Coil cord loosely by the side of the appliance in storage.
- Do not use outdoors or operate where aerosol (spray) products are being used or where oxygen is being administered.
- Do not use the appliance if it is damaged. In the event of damage, discontinue use immediately and contact your dealer for instructions on returning it for examination or exchange. If the supply cord is damaged, it must be replaced by the manufacturer, its service agent or similarly qualified person in order to avoid a hazard.
- Always ensure that the voltage to be used corresponds to the voltage marked on the unit.
- For additional protection, the installation of a residual current device (RCD) with a rated operating current not exceeding 30mA is advisable in the electrical current circuit supplying the bathroom. Ask your installer for advice.

THE ALL-ROUNDER

STEP UP, IT'S GROOMING TIME.

The All-Rounder is the waterproof multi-purpose face, body & head trimmer.



1. Precision W-Tech blades
2. 100% waterproof
3. Cordless use
4. 32mm trimming blade
5. Foil shaver
6. Rotary blade
7. 6 position comb guide (0.5mm to 3mm) for short or shadow stubble
8. 7 position comb guide (2mm to 14mm) for keeping your beard in top shape
9. 7 position comb guide (3mm to 15mm) for trimming head & body hair
10. Charging & storage stand
11. Cleaning brush
12. Oil

PREPPING YOUR NEW TOOL

CHARGING

The All-Rounder is so easy to use. But before you start using your new tool, you must take the time to charge it overnight for **16 hours** before its first use. Your new tool comes with a small amount of charge, but the initial charge will ensure your new tool will have optimum power performance to give you smooth fast cutting, every time.

- Before using for the first time, fully charge your new tool continuously for 16 hours.
- Maximum battery capacity will only be reached after 3 charging & discharging cycles.

The All-Rounder can be charged whilst standing in the charging/storage stand or without the stand.

To charge the trimmer whilst in the stand, remove the trimmer, attachments & accessories from the stand. Hold the recharging/storage stand upside down & insert the small plug on the charging adaptor into the hole on the base of the stand & push firmly into position. Then, route the cord through the channel on the base of the stand. Place your thumb on the hinged back cover & push the cover over the charging adaptor plug (to the right) to secure the cord & plug in place (Fig.1).

To charge the trimmer without the stand, simply insert the small plug on the charging adaptor into the hole on the base of the trimmer.

Fig.1



- The red charging LED indicator light on your new tool will illuminate when correctly connected to the mains power.
- A full charge will supply 40 minutes cordless runtime.
- To maintain optimum capacity of the rechargeable battery, it is highly recommended to fully discharge & then recharge your tool for 16 hours every 3 months.
- Subsequent recharges will only require 8 hours charging time.

HOW TO USE THE ALL-ROUNDER

BEFORE USING

- Always inspect the trimmer blades for noticeable signs of damage.
- Always inspect the trimmer blades before use to ensure they are free from hair, debris etc.
- Ensure the trimmer is sufficiently charged before use.
- If the foil is cracked, broken or loose, do not use it again & replace with a new foil. Using a foil in a faulty condition can cause injury.
- Do not shave on open wounds, cuts, burns, warts, moles or on sunburned skin.
- Do not use the foil shaver if you suffer from skin irritations or infections, such as psoriasis or eczema. If at all unsure always consult your doctor before use.

CHANGING THE ATTACHMENT HEADS

1. Before changing the attachment heads, make sure your trimmer is switched off.
2. Remove any comb guides attached to your trimmer.
3. To remove an attachment head, hold the handle of the trimmer with one hand, while holding the attachment head with the other hand. Push up on the attachment head with your free hand to remove it (Fig.2)
4. To attach an attachment head, fit the base of the attachment had onto the trimmer pressing it until you hear a click.

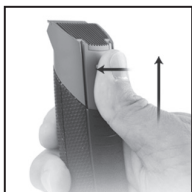


Fig.2

TRIMMING TIPS

CHECK OUT CONAIRMAN.COM.AU FOR GROOMING TIPS & KNOW HOW TO LET YOU CRAFT A REPUTATION

USING THE 32MM TRIMMING BLADE

The 32mm trimming blade has been designed for body, face & hair trimming. It's also ideal for stubble & beard shaping.

The following comb guides are for use with the 32mm trimming blade:

- 6 position comb guide (0.5mm to 3mm) for short or shadow stubble;
- 7 position comb guide (2mm to 14mm) for keeping your beard in top shape;
- 7 position comb guide (3mm to 15mm) for trimming head & body hair.

The 32mm trimming blade can also be used without any comb guide attached to outline & for an even closer finish.

Using the 32mm trimming blade to outline

The 32mm trimming blade without a comb guide attached will cut roughly to a length of 0.5 mm.

1. Do not attach a comb guide.
2. Hold the trimmer upside down with the blade facing downwards, yet flat against the skin.
3. Move the trimmer gently downwards in small strokes around the edge of the area you wish to outline.
4. Having defined the outline, hold the trimmer with the blades pointing upwards, yet flat against the skin & move the trimmer upwards against the direction of hair growth. This will trim the unwanted hair adjacent to the outline.

BE CAREFUL NOT TO APPLY EXCESS PRESSURE TO THE BLADE, AS THIS MAY DAMAGE THE BLADE AND CAN RESULT IN INJURY TO THE SKIN DURING TRIMMING.

Using the 32mm trimming blade with the 6 position comb guide (0.5mm to 3mm)
for short or shadow stubble

1. To attach the 6 position comb guide, place the comb guide onto the back of the trimmer, ensuring that the two plastic lugs are aligned correctly over the top of the trimmer. Push the comb guide down until it clicks into place. The comb guide is now secured onto the trimmer & the longest cutting length should be shown – 3mm.
2. The comb guide has 6 length settings, 0.5mm, 1mm, 1.5mm, 2mm, 2.5mm & 3mm. The trimming length is manually adjustable. The selected length in mm is displayed in white at the back of the trimmer. To change the trimming length, push in the middle section of the comb guide & adjust the comb guide up or down. Stop at the required cutting length when it is displayed at the back of the trimmer. The comb guide should then be secured at the selected cutting length.
3. Select the required cutting length setting (0.5mm to 3mm). If you require more than one cutting length, start with the longest length first.
4. Switch the trimmer on.
5. Hold the trimmer with the teeth of the trimmer pointing upwards, yet flat against the skin.
6. Move the trimmer upwards & outward through the hair, against the direction of hair growth.
7. The trimmer will work most efficiently when cutting through hair at its own speed.
8. Never switch the appliance off whilst in the hair.
9. To remove the comb guide, simply press in the middle section of the comb guide & push all the way to the top until you can remove it from the trimmer.

Using the 32mm trimming blade with the 7 position comb guide (2mm to 14mm) for keeping your beard in top shape

1. To attach the 7 position comb guide, place the comb guide onto the back of the trimmer, ensuring that the two plastic lugs are aligned correctly over the top of the trimmer. Push the comb guide down until it clicks into place. The comb guide is now secured onto the trimmer & the longest cutting length should be shown – 14mm.
2. The comb guide has 7 length settings, 2mm, 4mm, 6mm, 8mm, 10mm, 12mm & 14mm. The trimming length is manually adjustable. The selected length in mm is displayed in white at the back of the trimmer. To change the trimming length, push in the middle section of the comb guide & adjust the comb guide up or down. Stop at the required cutting length when it is displayed at the back of the trimmer. The comb guide should then be secured at the selected cutting length.
3. Select the required cutting length setting (2mm to 14mm). If you require more than one cutting length, start with the longest length first.
4. Switch the trimmer on.
5. Hold the trimmer with the teeth of the trimmer pointing upwards, yet flat against the skin.
6. Move the trimmer upwards & outward through the hair, against the direction of hair growth.
7. The trimmer will work most efficiently when cutting through hair at its own speed.
8. Never switch the appliance off whilst in the hair.
9. To remove the comb guide, simply press in the middle section of the comb guide & push all the way to the top until you can remove it from the trimmer.

Using the 32mm trimming blade with the 7 position comb guide (3mm to 15mm) for trimming head & body hair.

1. To attach the 7 position comb guide, place the comb guide onto the back of the trimmer, ensuring that the two plastic lugs are aligned correctly over the top of the trimmer. Push the comb guide down until it clicks into place. The comb guide is now secured onto the trimmer & the longest cutting length should be shown – 15mm.
2. The comb guide has 7 length settings, 3mm, 5mm, 7mm, 9mm, 11mm, 13mm & 15mm. The trimming length is manually adjustable. The selected length in mm is displayed in white at the back of the trimmer. To change the trimming length, push in the middle section of the comb guide & adjust the comb guide up or down. Stop at the required cutting length when it is displayed at the back of the trimmer. The comb guide should then be secured at the selected cutting length.

CREATING AN ALL-OVER EVEN CUT ON YOUR HEAD

1. Ensure the trimmer is switched off.
2. Select the desired trimming length setting as required.
3. Switch the trimmer on – the blades will start to move.
4. Start cutting at the nape of the neck, holding the trimmer with the teeth of the trimmer pointing upwards, ensuring that the comb guide is resting flat against the head.
5. Slowly move the trimmer upwards & outwards through the hair towards your crown, against the direction of the hair growth. The comb guide will help to lift the hair & the blades will cut the hair to the length as shown on the comb guide.
6. Once the desired length is achieved at the back of the hair, start trimmer the top & sides.
7. Hold the trimmer to the front of your hair with the teeth pointing towards the back of your head & move the trimmer towards your crown. Repeat as necessary, moving in rows from the front & the sides of your head to the back.
8. The trimmer will work most efficiently when cutting through hair at its own speed.
9. Never switch the appliance off whilst in the hair.
10. To remove the comb guide, simply press in the middle section of the comb guide & push all the way to the top until you can remove it from the trimmer.

USING THE FOIL SHAVER

The foil shaver has been specially designed for shaving all body zones – chest & stomach area, back & shoulders, underarms, legs & the groin area. It will leave the skin feeling clean, smooth & refreshed. The dual independent trimmers on either side of the foil shaver are designed to shorten long hair & allow you to easily achieve precise shaving.

The 100% waterproof design makes it ideal for shaving body hair in the shower, for no mess grooming or as a dry shave. You can use shaving aids such as foam or gel with this product to achieve a cleaner, more refreshing shave.

PREPARING THE SKIN

Before using the foil shaver, make sure that the skin is perfectly clean & free from grease or cream. Exfoliating the skin once or twice a week before shaving helps to maintain healthy & fresh skin, but it also helps to:

- Prevent hairs from growing under the skin, resulting in in-grown hairs
- Remove dead skin cells & refine the texture of your skin, resulting in a closer shave
- Repair your skin to help it absorb skin care products.

We recommend exfoliating ideally the day before, as well as just before shaving. This will help straighten the hair & make it easier to shave. Avoid exfoliating just after shaving.

Having a warm shower before use will also help to soften the hair.

For optimum results, it is recommended to trim the hair first if it is quite long using the 32mm trimming blade.

1. Attach the foil shaving head.
2. Switch the trimmer on by sliding the On/Off switch upwards so that the "I" marking is visible.
3. Always keep the shaver perpendicular to the surface to be shaved.
4. Always work with both hands: stretch the skin with one hand & move the trimmer with the other hand.
5. Slowly move the shaver, exerting light pressure. As a precaution, the operation of the trimmer may slow down substantially if the foil shaving head is pressed too hard against the skin.

WET SHAVING

1. Thoroughly wet the body with warm water & apply foam or gel. This will help to lubricate the body & enable the shaver to glide across then skin for increased closeness & reduced irritation.
2. Move the shaver over the skin, applying minimal pressure only as this allows the hairs to be shaved much more quickly & cleanly. Do not press.
3. For the closest shave, shave against the direction of hair growth, or with the hair growth, whichever is preferred, but remember that hair grows in different directions.
4. Tilt the shaver up & down whilst shaving for best results.
5. Rinse the shaver regularly whilst shaving, keeping the TRIMMER running whilst rinsing the head for faster cleaning.

USING THE ROTARY BLADE

The rotary blade has been designed for trimming those hard to reach places like nose & ear hair. No nicks, cuts or pulling.

1. Attach the rotary trimming blade.
2. Switch the trimmer on.
3. Insert the trimmer into the nose or ear & gently move the trimmer in a circular motion.
4. Always turn the trimmer on **BEFORE** you insert into your nostril or ear canal to avoid painfully snagging hairs.
5. Never insert the trimmer more than 5-6mm into your nose or ears.
6. Never turn the trimmer off whilst in the nose & ears.

TRIMMER CLEANING & MAINTENANCE

Because the trimmer blades are precision made for a very special use, they should always be handled with care. To ensure long-lasting performance of your trimmer, it is important to clean the blades + the comb guides after every use.

To remove the trimming blade, follow the instructions at **CHANGING THE ATTACHMENT HEADS**.

1. First, take the cleaning brush & brush away any loose hairs that have collected in the blades.
 2. Rinse the trimming blades under running water. The comb guides can also be rinsed separately.
 3. After cleaning, make sure to shake off excess water & dry the head of the trimming blades + comb guide before replacing onto the handle.
 4. Do not disassemble the blades.
- Do not use hot water to clean the attachments.
 - Dry immediately & shake off excess water, then dry with a cloth.
 - Whilst the power handle is waterproof, it is recommended not to immerse unduly in hot soapy water.

The blades of your trimmer have a reservoir pad for releasing the necessary amount of oil for proper operation, time after time. Nevertheless, it is recommended that the reservoir pad be refilled occasionally when you notice cutting performance is not as high. To remove the trimming blade, follow the instructions at **CHANGING BETWEEN THE TRIMMING BLADE**. Squeeze a few drops of oil onto the reservoir pad (Fig. 3). Then replace the blades on the trimmer.

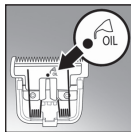


Fig. 3

KEEPING YOUR FOIL SHAVER IN TIP TOP SHAPE

To remove the foil shaver head, follow the instructions at **CHANGING THE ATTACHMENT HEADS**.

1. To make cleaning easier, the foil of the shaving head is removable.
2. To remove it, press the fasteners on its sides using your thumb & your index finger & lift it up.

BE CAREFUL NOT TO PUSH ON THE FOILS, THEY ARE DELICATE AND CAN EASILY BE DAMAGED.





3. Rinse the shaver cutter & foil frame under running water or in a sink. Do not use hot water. Use only warm or cold water.
4. After wet cleaning, allow the foil frame & cutters to air-dry before closing the foil frame & shaver head. The cutter can also be cleaned with a cleaning brush.
5. Replace shaver head back onto the handle until it clicks into place. Wipe the surface of the main unit with a dry towel. Do not dry the foil area. Let the shaving head air-dry.

NEVER use thinners, other solvents or any harsh cleaners.

6. Once the foil shaver is dried, carefully place the protective cap on.

WORLDWIDE VOLTAGE

This appliance has a multi voltage feature for worldwide use. The voltage automatically converts for ease of use from 100v - 240v. This appliance has an automatic internal converter which will automatically convert the voltage without the need of a switch. A suitable plug adaptor will be required, please refer to the chart below.

Plug adaptor required	Voltage and plug adaptors	Country	Voltage setting
	British plug: 240V	Ireland, Great Britain, Singapore, South America, Hong Kong (parts only), Africa (parts only)	240V
	European plug: 240V	Asia, Europe, Middle East Noumea, Scandinavia, South America, Hong Kong (parts only)	240V
	Australian and New Zealand plug: 230-240V	Australia, New Zealand	230-240V
	American plugs: 120V	North America, Japan, Canada (parts of)	120V

BATTERY DISPOSAL

The All-Rounder contains a Nickel Metal-Hydride battery. To protect the environment, the appliance must be disposed of safely at the end of its useful life.



Ni-MH

Please take the appliance to a recycling centre, where the internal rechargeable battery should be removed by a professional and recycled separately.

For more information about the recycling of electrical and battery operated appliances, please contact your local council office or your household waste disposal service.

WARRANTIES

1. In this warranty document ("Warranty Document"), "Conair", "we" or "us" means:
 - Conair Australia Pty Limited (ABN 64 068 492 044) of The Equinox Centre, Suite 101, 18 Rodborough Rd, Frenchs Forest, NSW, 2086, in relation to products purchased in Australia; or Conair New Zealand Ltd of Conair New Zealand Limited, PO BOX 251159 Pakuranga, Auckland 2140, New Zealand in relation to products purchased in New Zealand.
 - Nothing in this Warranty Document limits or reduces (or purports to limit or reduce) any statutory guarantees pursuant to the Australian Consumer Law for Australian customers or the Consumer Guarantees Act 1993 for New Zealand customers.
 - If you have any questions about the product you have purchased in either Australia or New Zealand, please contact us on 1800 650 263 (for Australian customers) or 0800 266 247 (for New Zealand customers). Further contact details are set out at the bottom of this Warranty Document.

STANDARD 2 YEAR (24 MONTH) WARRANTY

2. **AUSTRALIA:** Our goods come with guarantees that cannot be excluded under the Australian Consumer Law. You are entitled to a replacement or refund for a major failure and compensation for any other reasonably foreseeable loss or damage. You are also entitled to have the goods repaired or replaced if the goods fail to be of acceptable quality and the failure does not amount to a major failure.
NEW ZEALAND: Our goods come with guarantees that cannot be excluded under the Consumer Guarantees Act 1993. This guarantee applies in addition to the conditions and guarantees implied by that legislation.
3. Conair's name, postage address, email and phone number are available at the bottom of this Warranty Document, under "Contact Information".
4. This Standard 2 Year (24 Month) Warranty ("Standard Warranty") applies for a period of 2 years (24 months) from the date that you purchased your product ("Standard Warranty Period"). For clarity, the relevant defect must appear within the Standard Warranty Period timeframe for this Standard Warranty to apply.
5. If your product is defective, and the product is covered under this Standard Warranty, you should, in the first instance, take the product back to the place you purchased it from or contact us directly if you are unable to take the product back to the place of purchase.

The procedure for claiming under this Standard Warranty is as detailed below.

6. To make a Standard Warranty claim, you will need to return the defective product back to the place it was purchased where it will be assessed under this Standard Warranty. Or if you are unable to return the defective product back to the place of purchase, you will need to call our Customer Service team on 1800 650 263 (for Australian Customers) or 0800 266 247 (for New Zealand customers) or send an email to the email address provided below under 'Contact Information'.
7. **In order to make a claim under this Standard Warranty, you will need to provide the following details to Conair:**
 1. **Date of purchase**
 2. **Retailer name & location**
 3. **Product model number & name**
 4. **Confirm you have your purchase receipt**
 5. **Detail the problem with your product.**
8. If you make a Standard Warranty claim directly with us, we will ask for you to send us back the defective product along with the purchase receipt. To do this, please head to your local post office and send to the product to our reply paid address which is: Reply Paid 146, PO Box 146, Terrey Hills NSW 2084. For clarity, we will be responsible for covering the cost of postage to the above reply paid address.
9. Once we receive your product, we assess it accordingly. Upon analysing the defect, we will either: a) have the product replaced and sent back to you; or b) refund you (either in part or in full).
10. The benefits provided to you under this Standard Warranty are in addition to other rights and remedies available to you under consumer law.
11. Within the Standard Warranty Period, if your product suffers a defect in the materials or workmanship, Conair will either refund or replace your product, in our sole discretion, for no charge.
12. Under this Standard Warranty, we do not have to refund, repair or replace your product if the product's defect or damage is a result of misuse, abuse, accident, act of God such as lightning, or nonobservance of Conair's instruction booklet on the part of the user.
13. The Standard Warranty does not cover ordinary wear and tear of the product.
14. This Standard Warranty is immediately void if: a) any serial number or product plate is removed or defaced, or b) the product has been serviced or otherwise repaired by a person not authorised to do so by Conair or where non-approved replacement parts are used.

15. You are aware that the product is designed for domestic use only and that it must be connected to the electrical voltage supply as specified in the ratings label located on the product itself and detailed in the product's instruction booklet. The Standard Warranty does not cover defects arising from non-domestic use or use of incorrect voltage supply.
16. This Standard Warranty may only be claimed where proof of original purchase is presented, for example, original receipt or invoice.
17. The Standard Warranty on any replacement product or parts will expire on the same date that the Standard Warranty Period on the original product expires, as far as the law permits.
18. In order to obtain a remedy under this Standard Warranty, the defect must have occurred during this Standard Warranty Period and you (as the purchaser) bear the onus of proving that fact, and that the defect was not caused by any of the exclusions above.
19. This Standard Warranty does not cover any product purchased from any entity who is not an authorised Conair distributor or reseller. For clarity, all warranties are only enforceable in Australia and New Zealand.
20. To the fullest extent permitted by law, Conair does not accept liability for: a) any loss or damage however suffered, caused by or arising out of any failure to use a product in accordance with Conair's instruction booklet; and b) any indirect, consequential or economic loss or damage however caused.
21. We will be responsible for all postage and freight charges and any other expenses incidental to claiming under the Standard Warranty, however you must send the product back to our Reply Paid address (which is: Reply Paid 146, PO Box 146, Terrey Hills NSW 2084).
22. If your product is defective, and the product is covered by this Standard Warranty, you should take the product back to the place you purchased it from or contact us directly using the contact information provided in the Contact Information section below.
23. To honour the Standard Warranty, you must retain your proof of original purchase, for example, original receipt or invoice and you must present the proof of original to obtain replacement, refund or service under this Standard Warranty, alongside your defective product.
24. You understand that the Standard Warranty may only be claimed where proof of original purchase is presented, i.e. original purchase receipt or invoice. When asked to do so, please provide your proof of original purchase along with the requested information/defective item.

SPARE PARTS

25. Replacement parts may be available for your product. Contact us on the phone or email address provided for more details. Please provide your product name/model number details, date of purchase and part you require.

CONTACT INFORMATION

Conair Australia Pty Ltd

PO Box 146 Terrey Hills NSW 2084

Customer Service

Australia

1800 650 263

email: aus_info@conair.com

Conair New Zealand Ltd

PO Box 251159 Pakuranga, Auckland New Zealand 2140

Customer Service

New Zealand

0800 266 247

email: aus_info@conair.com



©2023 Conair Australia Pty. Ltd.
Suite 101, 18 Rodborough Rd
Frenchs Forest NSW 2086
Australia

Conair New Zealand Limited
PO BOX 251159
Pakuranga, Auckland 2140
New Zealand

CONTACT US

For advice & tips on your new ConairMan product email us on:
aus_info@conair.com

CUSTOMER SERVICE

Australia: 1800 650 263
New Zealand: 0800 266 247

Check out CONAIRMAN.COM.AU for grooming tips & know how to let you craft a reputation.

CONAIRMAN™

**CRAFT A
REPUTATION,
MY MAN**

IB-22/401A